

! DANGER: ELECTROCUTION

BEFORE PROCEEDING WITH ANY INSTALLATION, ADJUSTMENT, ALTERATION, OR SERVICE, ALL CIRCUIT BREAKERS AND DISCONNECT SWITCHES SERVICING THE APPLIANCE MUST BE TURNED OFF. FAILURE TO DO SO COULD RESULT IN SERIOUS PERSONAL INJURY OR DEATH.

! DANGER: ELECTROCUTION

NEVER REMOVE THE APPLIANCE'S COVER UNLESS THE ELECTRICITY SERVICING THE APPLIANCE IS TURNED OFF. FAILURE TO DO SO COULD RESULT IN PERSONAL INJURY OR DEATH.

! DANGER: BURNS

WATER TEMPERATURES OVER 125°F (51°C) CAN CAUSE SEVERE BURNS INSTANTLY OR DEATH FROM SCALDING. A HOT WATER SCALDING POTENTIAL EXISTS IF THE THERMOSTAT ON THE APPLIANCE IS SET TOO HIGH. HOUSEHOLDS WITH SMALL CHILDREN, DISABLED OR ELDERLY PERSONS MAY REQUIRE THAT THERMOSTATS BE SET AT 120°F (48°C) OR LOWER TO PREVENT POSSIBLE INJURY FROM HOT WATER.

CAUTION: OTHER THAN THE FILTER SCREEN, THESE APPLIANCES DO NOT CONTAIN ANY PARTS SERVICEABLE BY THE LAY PERSON. IN CASE OF MALFUNCTION, PLEASE CONTACT A LICENSED PLUMBER OR ELECTRICIAN.

All Models

Stiebel Eltron tankless water heaters are designed for a very long service life. Actual life expectancy will vary with water quality and use. The units do not require any regular maintenance, except to periodically remove scale and dirt that may build up in the filter screen in the unit, or at the hot water outlets served by the unit, such as the aerator of a faucet, or in a shower head. This will ensure consistent water flow.

In areas with hard water that produces scale, descaling of the entire unit may be required, and should be performed as often as necessary. We recommend the Flow-Aide System (Stiebel Eltron part # 540000) for this procedure. In these areas, consideration should also be given to installing a filter that will prevent scale buildup on the cold water supply to the water heater. We recommend the House Pure® WI-HP-SECURE-.75 (Stiebel Eltron part # 581331) for this.

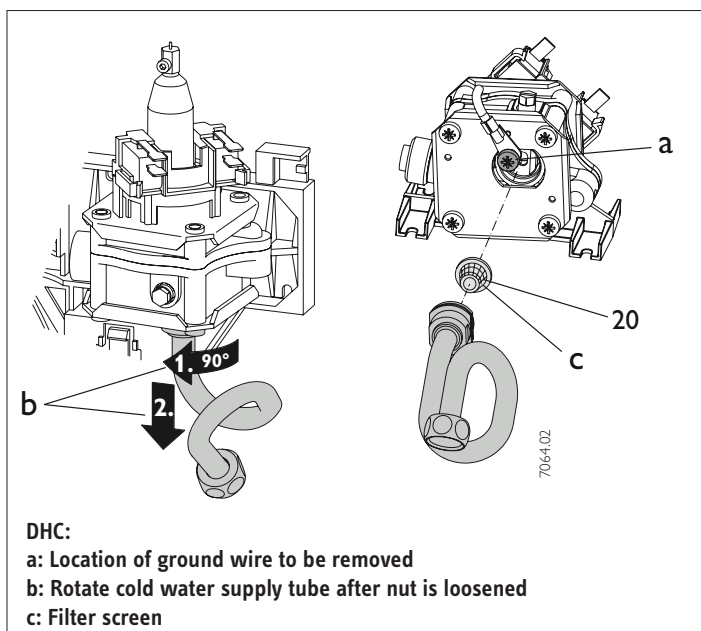
CLEANING: Use a damp cloth to clean of the unit's housing. Do not use any abrasive or corrosive cleaning agents.

Mini™ & DHC Models

Following all directions and precautions in this manual, regularly clean and descale the filter screen located in the cold water inlet connection and replace if necessary. Always shut off power and water to the unit prior to removing the filter screen.

To access the filter screen in a Mini™, turn off the cold water supply at the isolating valve and disconnect the cold water supply at the unit. To just clean the screen while it remains in place, scrape any debris from the inside of the screen. To remove the filter screen, reach up into the cold inlet pipe with a small flathead screwdriver and while putting pressure on the inside of the screen's plastic rim, pull the screen down and out. Clean and replace the filter screen, or install a new one. Never run the unit without the filter screen in place.

To access the filter screen in a DHC model, turn off the cold water supply at the isolating valve and remove the ground wire. Loosen nut at base of cold water supply tube. Rotate cold water supply tube counterclockwise 90 degrees and pull towards bottom of unit. Clean screen and put the screen, the cold water supply tube and the ground wire back into their original position. Be sure the ground wire is reinstalled, the ground screw is securely fastened, and the nut on the cold water supply tube is tight before the unit is returned to service. Never run the unit without the filter screen in place.



DHC-E & Tempra® Models

The filter screen located in the cold water inlet connection should be regularly cleaned and descaled, and replaced if necessary. Always shut off power and water to the unit prior to performing this service. To remove the filter screen, pull the filter screen down and out of the unit with needle nose pliers once the inlet water supply has been disconnected. Never run the unit without the filter screen in place.

The amount of heat put into the water is controlled electronically. Using the knob on the front cover, set the output temperature of the water to any temperature between 86°F (30°C) and 140°F (60°C). For most applications we recommend setting the temperature to the highest temperature for normal use, typically 108°F (42°C) to 116°F (47°C) for a shower. Lower settings increase the life of the unit.

The outlet temperature of a Tempra Plus, DHC-E 8/10, or DHC-E 12 model can be limited to 109°F (43°C). Consult your installer if your unit has been set to this limit and you require a higher temperature.

If the “Power” LED is flashing on a standard Tempra®, DHC-E 8/10, or DHC-E 12 unit while it is operating, the water flow rate exceeds the heating capacity of the unit. Reducing the flow of hot water or setting a lower temperature will let the unit achieve the set point temperature.