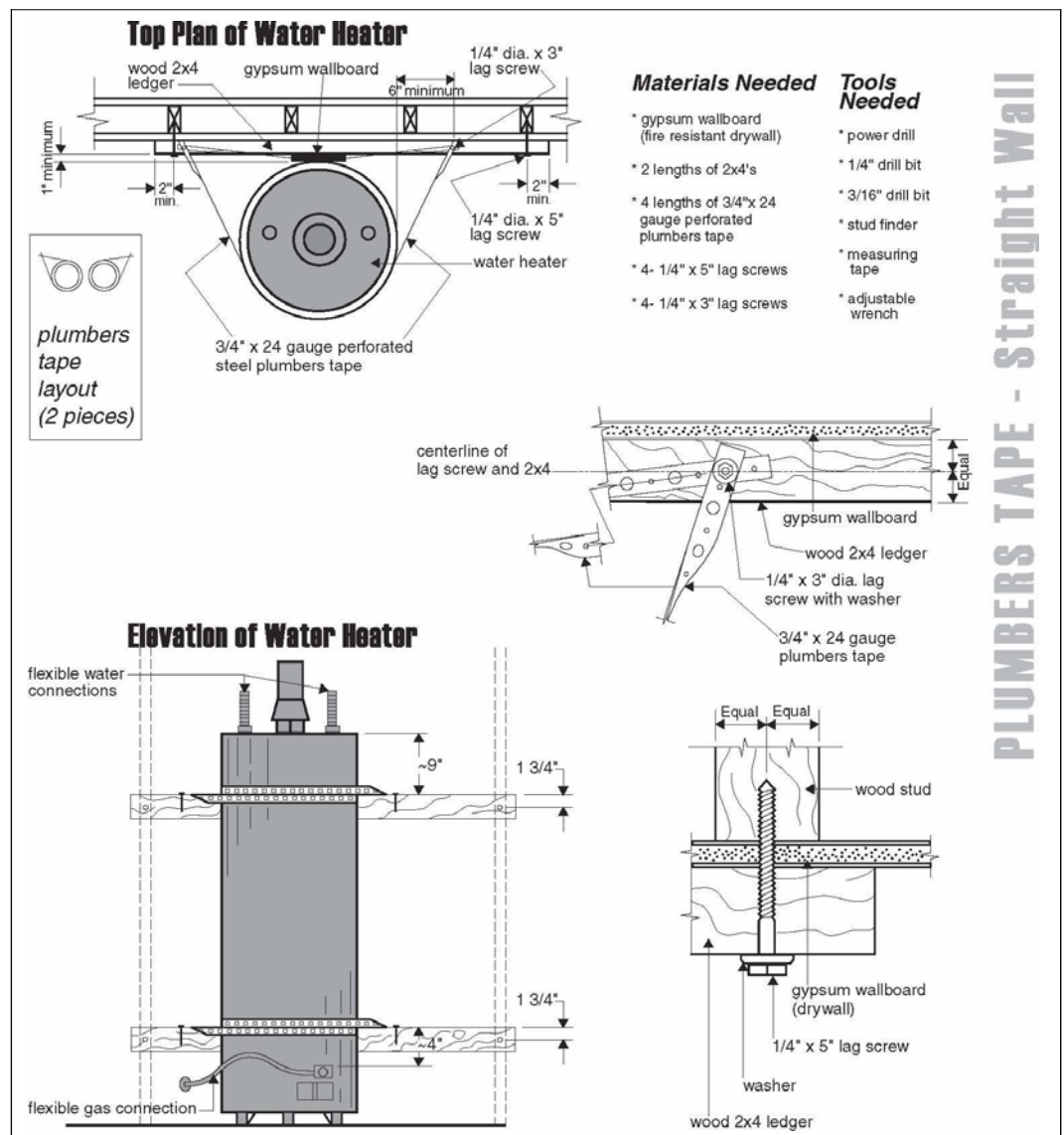


TECHNICAL SERVICE BULLETIN

Earthquake Strapping for Accelera® Heat Pump Water Heaters

The accompanying illustrations from the Division of the State Architect in California are provided for guidance where earthquake strapping is required. These illustrations are provided for illustrative purposes for strapping of Accelera® heat pump water heaters. Local codes should be consulted for complete regulations and other information.

Straight wall strapping with perforated 24 gauge steel strapping (plumber's tape).



► For more detailed information, please view the complete document here.